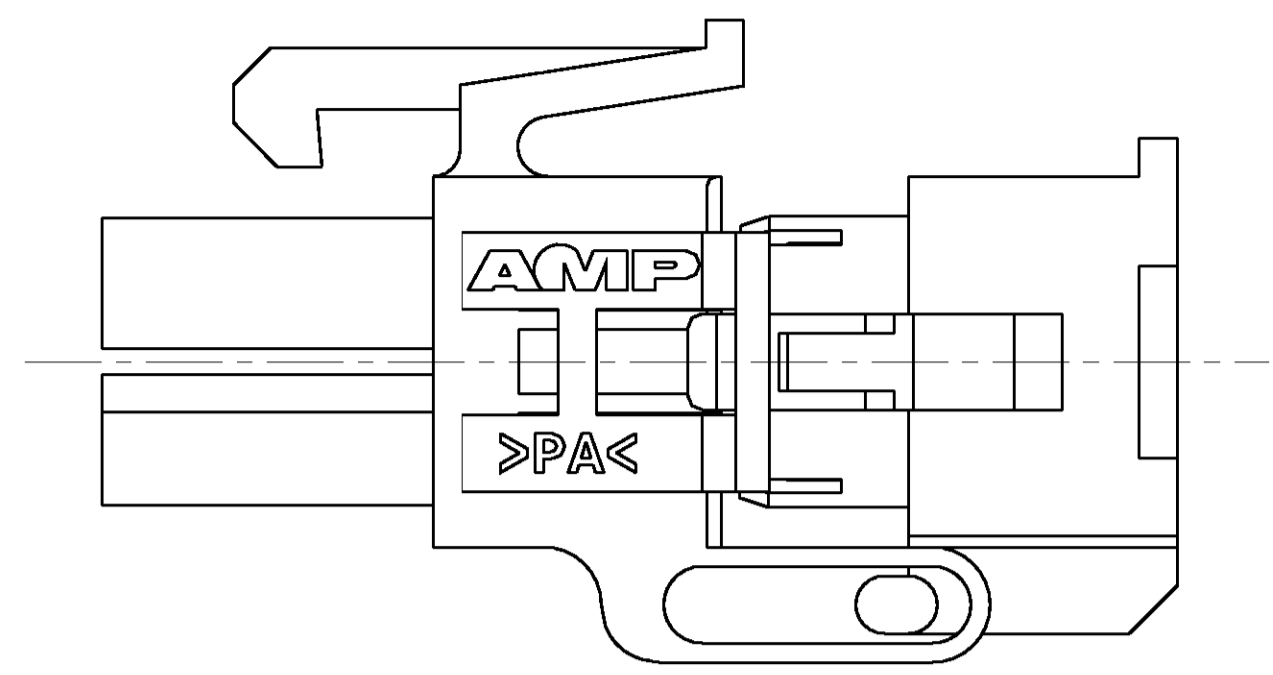
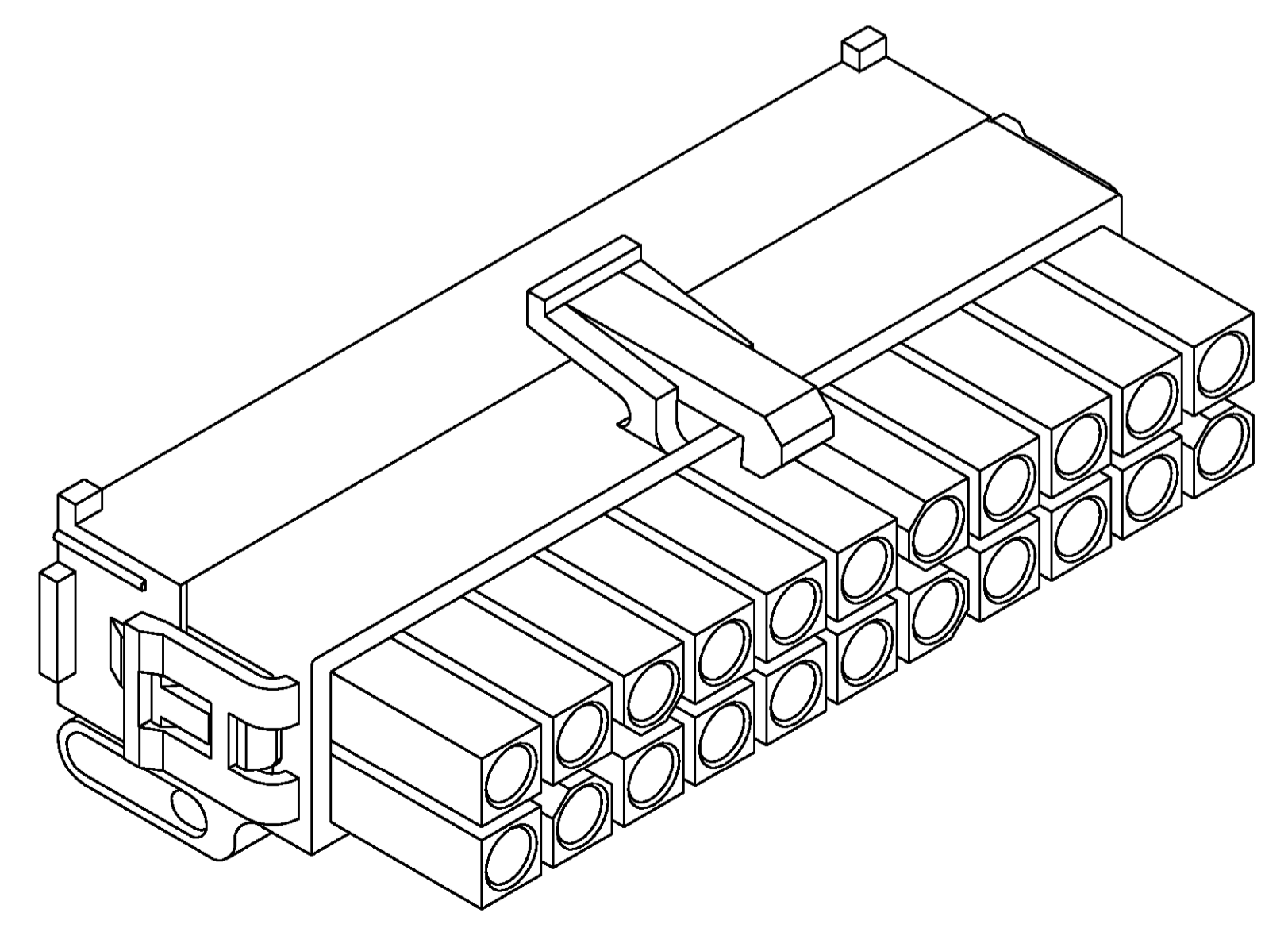
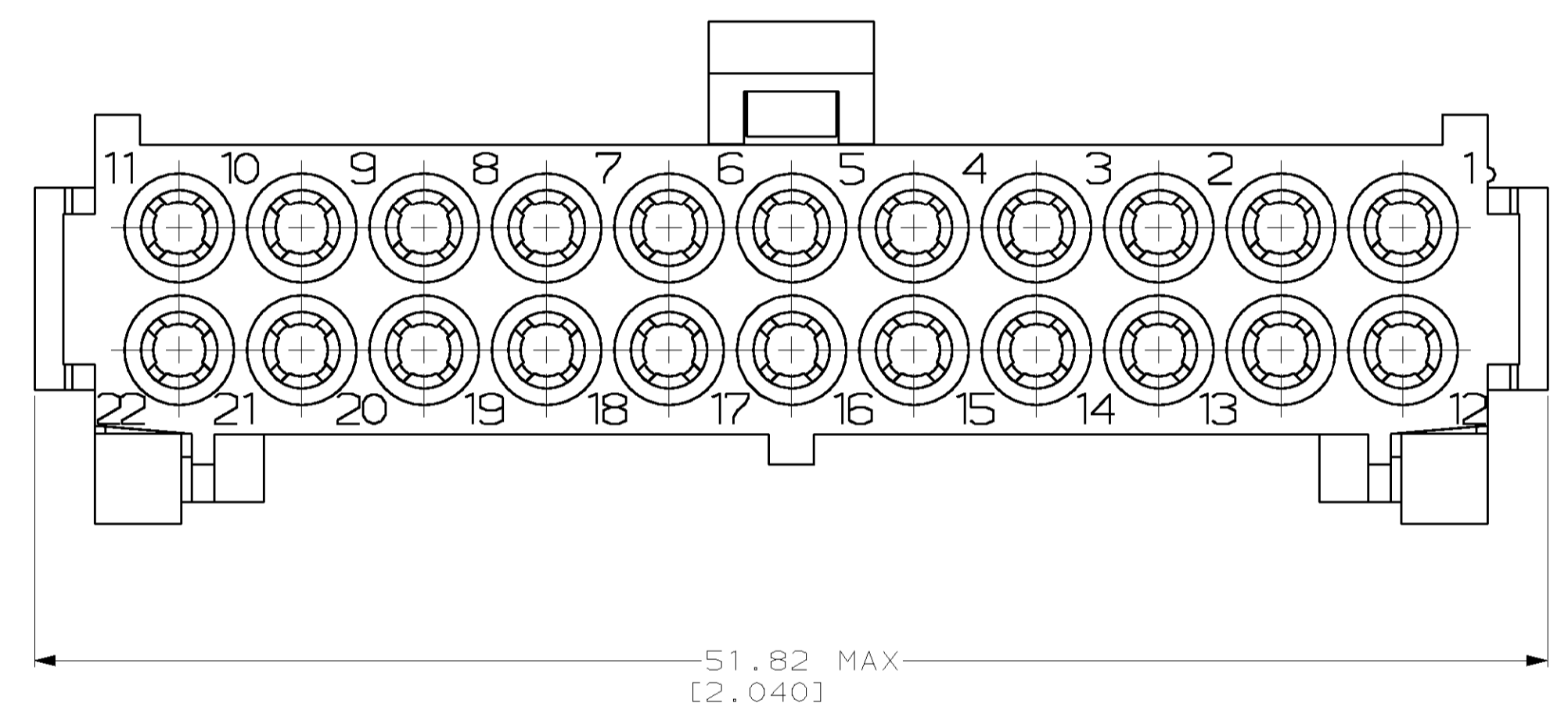
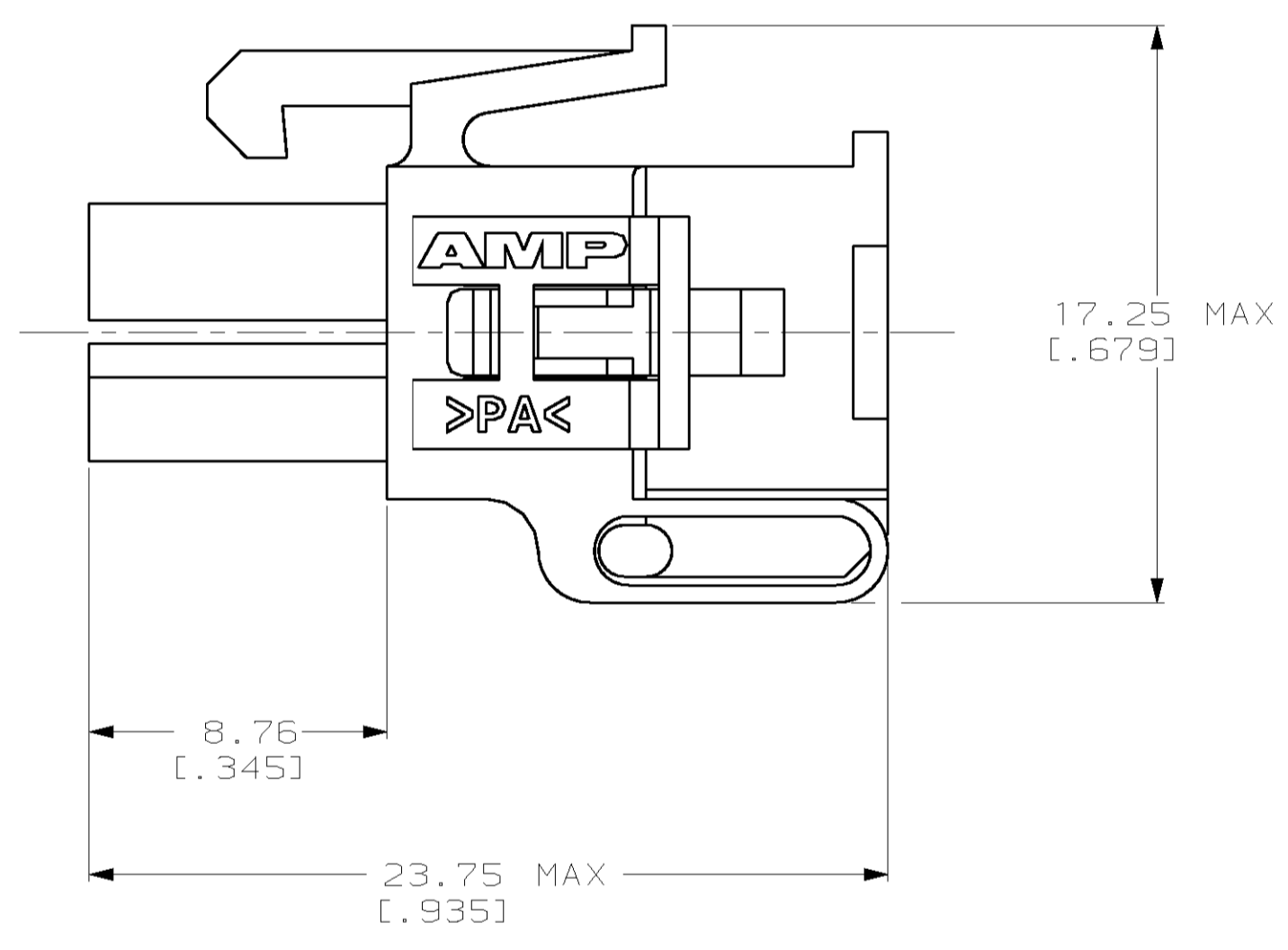
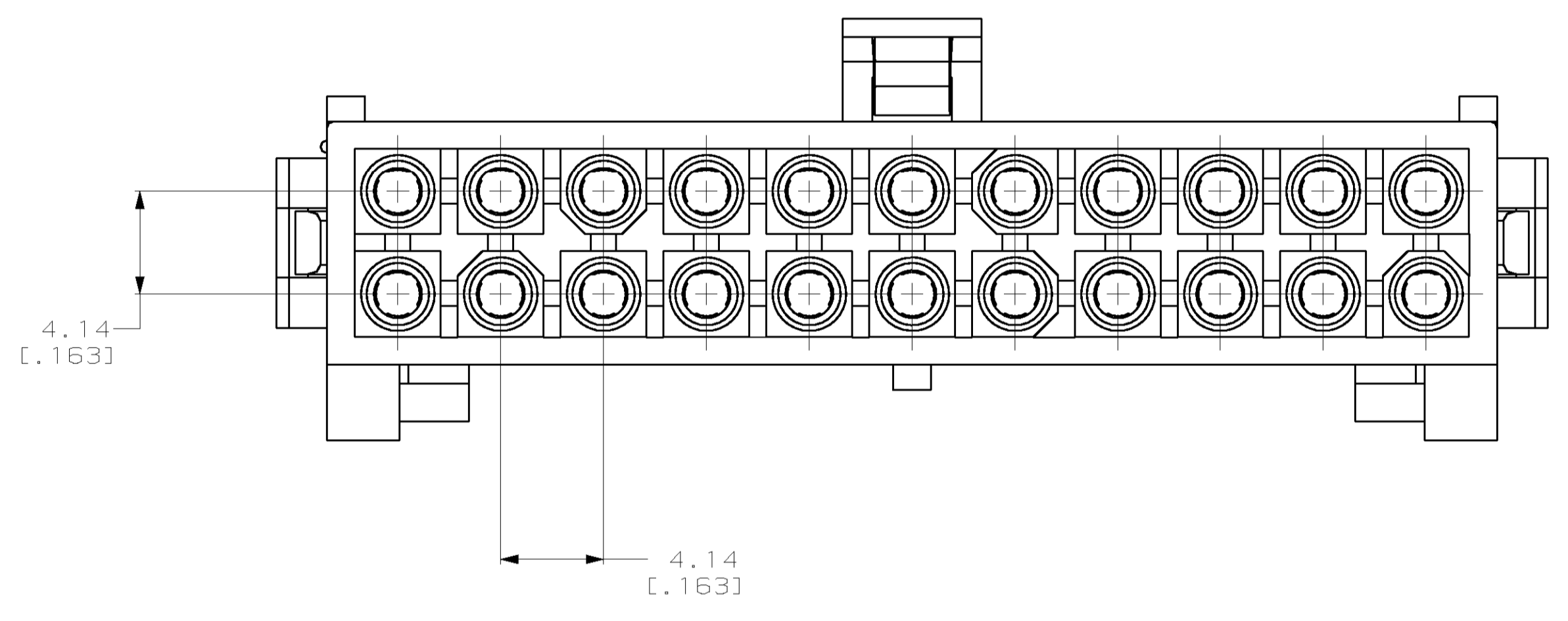


LOC		DIST		REVISIONS			
F	CHR	DATE	BY	APPROV	REV	DESCRIPTION	DATE
B		23-SEP-99	KW	KC		REV PER EC 061B-0094-99	



PRE-STAGED CONDITION

1. DIMENSIONS IN BRACKETS ARE IN INCHES.



3-DIMENSIONAL MODEL
NTS

794212-1
PART NUMBER



THIS DRAWING IS A CONTROLLED DOCUMENT.		DWN K. WHITAKER	5-20-97	AMP Incorporated Harrisburg, PA 17105-3608
DIMENSIONS:		CHK R. SWING	5-20-97	
TOLERANCES UNLESS OTHERWISE SPECIFIED:		APPROV S. ORSTAD	5-20-97	
0 PLC ± 1 PLC ± 2 PLC ± 3 PLC ±0.13 (0.005) 4 PLC ± ANGLES ±		NAME	PLUG, 22 CIRCUIT, MINI UNIVERSAL MATE-N-LOK™ 2	
MATERIAL NYLON, UL 94V-0, NATURAL		PRODUCT SPEC	APPLICATION SPEC	RESTRICTED TO
FINISH		SIZE	CAGE CODE	DRAWING NO
WEIGHT		A1	00779	C-794212
CUSTOMER DRAWING		SCALE	5:1	SHEET 1 OF 1